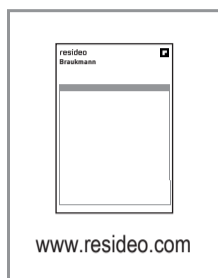


# resideo



## Braukmann V5007 PICV

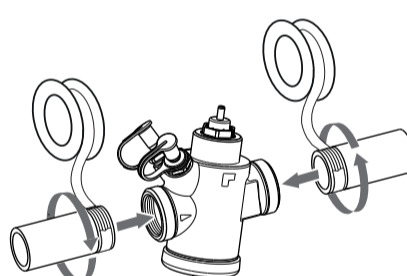
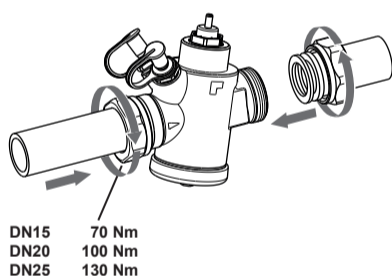


pH 8...9.5  
-10...120°C (-14...248°F)

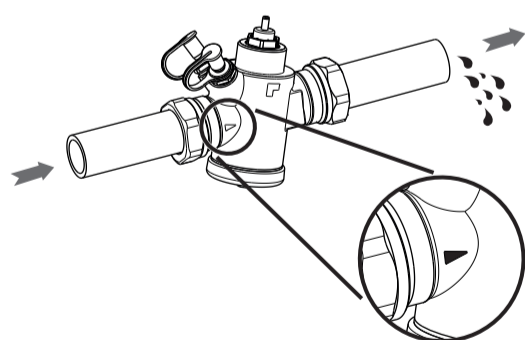
	Flow range:		Pressure range:		G Rp	NPT	G Rp	NPT
	Min. flow (l/h)	Max. flow (l/h)	$\Delta P_{min}$ (kPa)	$\Delta P_{max}$ (kPa)				
					PN25	PN25	PN16	PN16
DN15	10	350	15	600	V5007TZ10150350	V5007TN10150350	V5007TZ20150350	V5007TN20150350
DN15	120	1400	18		V5007TZ10151400	V5007TN10151400	V5007TZ20151400	V5007TN20151400
DN20	80	1000	18		V5007TZ10201000	V5007TN10201000	V5007TZ20201000	V5007TN20201000
DN20	150	2000	20		V5007TZ10202000	V5007TN10202000	V5007TZ20202000	V5007TN20202000
DN25	180	2000	18		V5007TZ10252000	V5007TN10252000	V5007TZ20252000	V5007TN20252000
DN25	300	2700	20		V5007TZ10252700	V5007TN10252700	V5007TZ20252700	V5007TN20252700



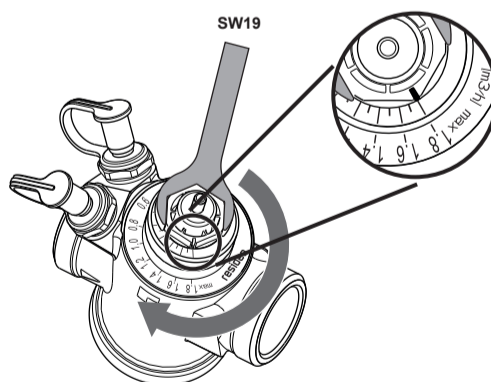
A



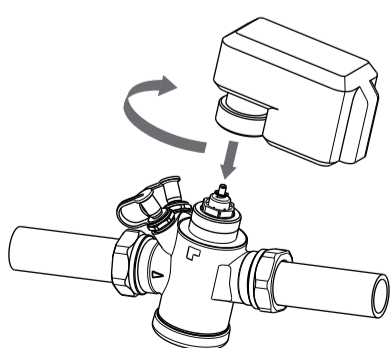
B



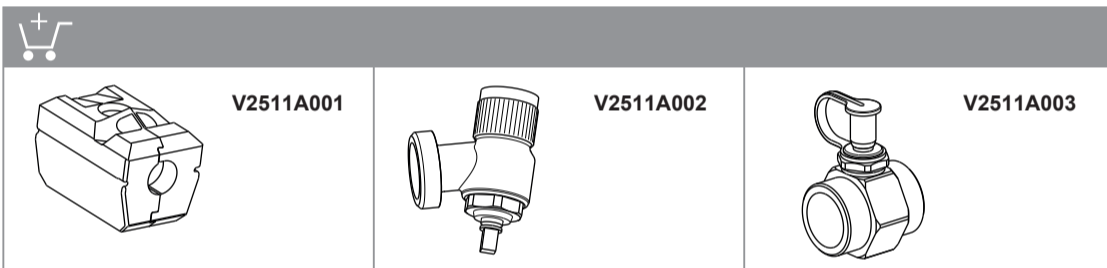
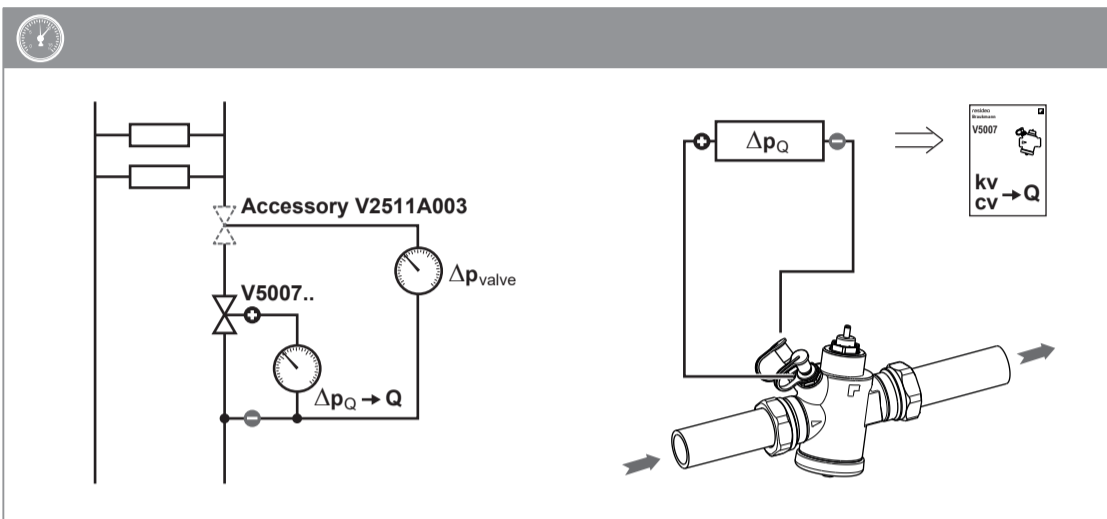
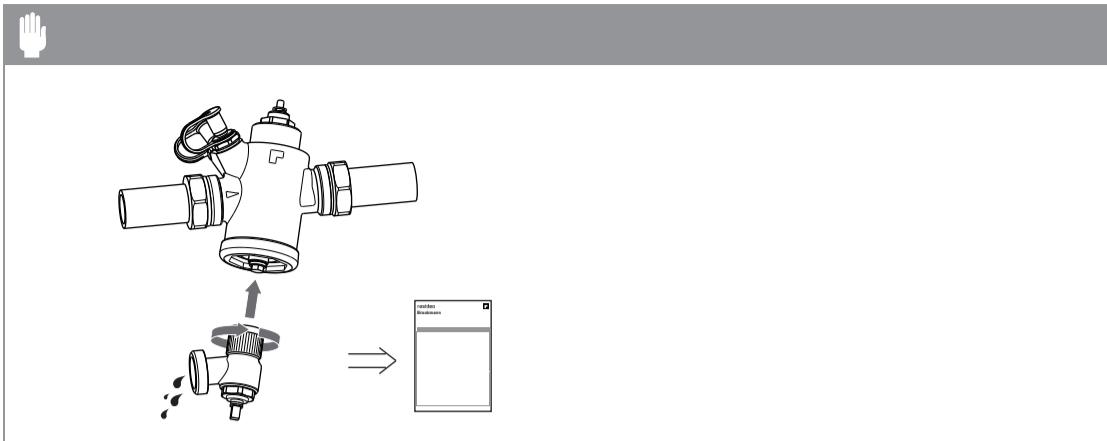
C



D



R32350542-001



Manufactured for and on behalf of  
 Pittway Sàrl, Z.A., La Pièce 6,  
 1180 Rolle, Switzerland

For more information  
[homecomfort.resideo.com/europe](http://homecomfort.resideo.com/europe)  
 Ademco 1 GmbH, Hardhofweg 40,  
 74821 MOSBACH, GERMANY  
 Phone: +49 6261 810  
 Fax: +49 6261 81309